

# "PPF4"

**Positive Pressure Whole House  
Wall Mounted  
Ventilation Unit**



**Installation, Operating and Maintenance  
Instructions**





## PPF4 - POSITIVE INPUT VENTILATION WALL MOUNTED CONTINUOUS MECHANICAL EXTRACT UNIT INSTALLATION AND OPERATING INSTRUCTIONS

PLEASE READ THE FOLLOWING INSTRUCTIONS VERY CAREFULLY BEFORE USING THE PRODUCT. THE MANUFACTURER WILL NOT BE HELD RESPONSIBLE AND DECLINES ANY AND ALL LIABILITY FOR DAMAGE CAUSED TO PERSONS OR PROPERTY DUE TO IMPROPER USE WITH REFERENCE TO THE PRECAUTIONS OUTLINED IN THIS MANUAL.

**THIS MANUAL MUST ALWAYS BE READILY AVAILABLE.**



**ATTENTION :** This symbol indicates that care must be taken in installing this product in order to avoid (potentially lethal) injury both to installer and user. This instruction **MUST** be followed for installation.

1. Do not use this product for any purpose other than that for which it was designed and as shown in this leaflet.
2. Remove all packaging and check that your fan has not been damaged in transit. If in doubt, contact your supplier.
3. Do not leave packaging within the reach of children or unskilled people. Dispose of hazardous waste (polystyrene, plastic, polypropylene, etc.) responsibly.
4. If the product is dropped or badly knocked, contact your supplier, dealer or manufacturer to ensure that it is operating properly.
5. Using any electrical equipment requires compliance with basic safety rules:
  - the product must not come into contact with liquid of any sort
  - the product must not be operated by children or other unskilled people.
6. The product should only be connected to the mains electricity supply or electrical outlet if:
  - your electrical voltage and frequency correspond to those shown on the rating label.
  - the capacity of your electricity supply is sufficiently powerful to operate the product at its maximum power.
 If this is not the case, contact professionally qualified personnel.
7. Before carrying out any maintenance or cleaning operation, the product must be switched off and disconnected from the main power supply..
8. If a fault, malfunction or anomaly of any type occurs, the product should be made inoperative (by turning off the switch and by disconnecting it from the mains electricity supply) and qualified personnel contacted immediately. Always request original spare parts to carry out any repairs.
9. If the product needs to be removed, turn off the main network circuit-breaker and then disconnect the appliance from that network.



**WARNING :** This symbol indicates that care must be taken to avoid damaging your product when following these instructions

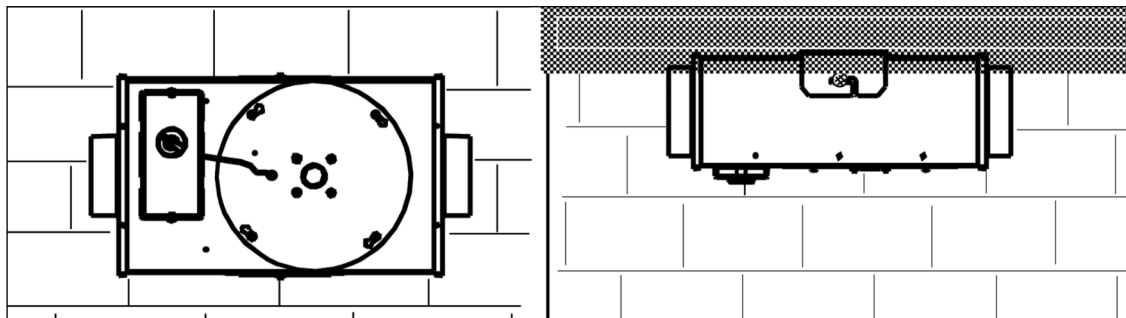
1. This product is professionally manufactured and complies with the current standards regarding electrical equipment
2. This product conforms with the EEC directive EMC 89/336 concerning the suppression of radio interference and electromagnetic compatibility.
3. This product must not be used in an ambient temperature greater than 40 °C (104 °F).
4. Do not place the unit or any part of it in water or liquids, except as indicated in the cleaning and maintenance section.
5. When cleaning or performing routine maintenance, check the condition of the appliance.
6. To avoid the risk of fire, do not use the product in the presence of inflammable substances or vapours such as alcohol, insecticides, gasoline, etc.
7. The device must be installed by professionally qualified personnel.
8. The product must be connected to the electricity supply by means of a double-pole switch with a minimum contact opening distance greater than 3 mm.



9. To ensure optimum operation, do not block the air intake and exit vents.
10. Any ducting used must be free from blockages
11. THIS APPLIANCE IS PROVIDED WITH THERMAL OVERLOAD PROTECTION. IF THIS IS ACTIVATED, THE FAN MUST BE DISCONNECTED FROM THE MAINS ELECTRICITY SUPPLY. THIS WILL ALLOW THE OVERLOAD DEVICE TO RE-SET. AFTER A BRIEF PERIOD, THE FAN CAN BE RE-STARTED. IF THE FAULT PERSISTS, CONSULT VECTAIRE FOR FURTHER ADVICE.

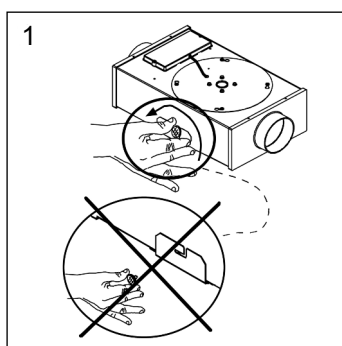
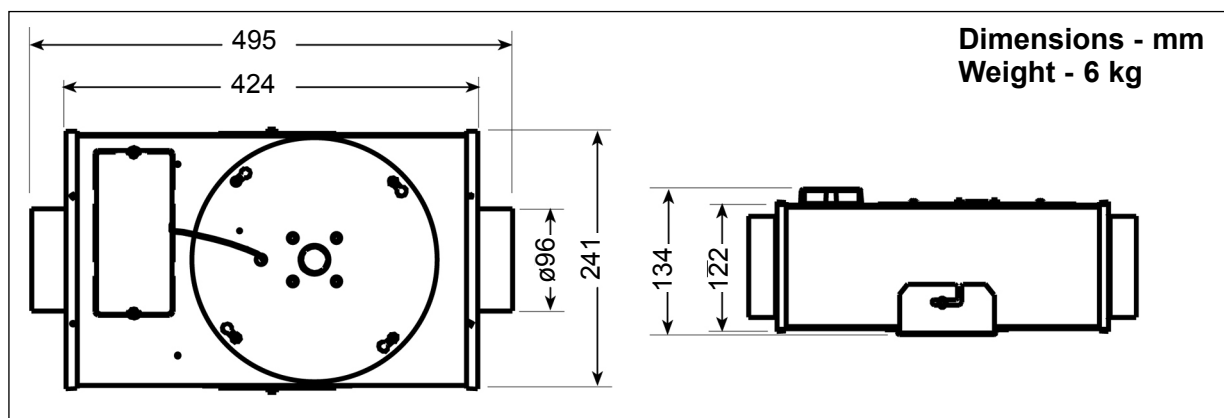
## OPERATION

1. The PPF4 is suitable for ceiling or wall installation (see below)

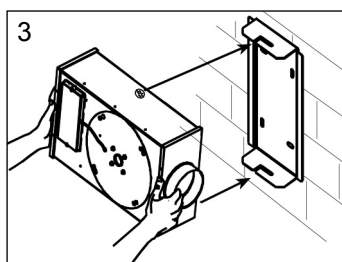
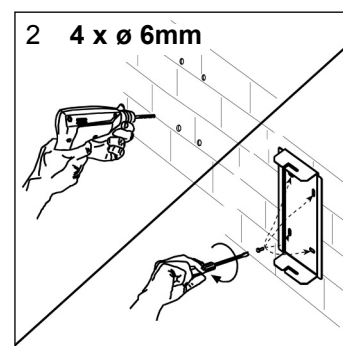


2. If one of the spigots is not connected to ducting a safety grille **MUST** be fitted to that spigot, so that it is impossible for any moving part to be touched.
3. These fans run continuously at a preset trickle speed. There is a choice of three trickle speeds, selectable during the installation.

## INSTALLATION



1. Remove the mounting bracket from the main cabinet by loosening the thumb screw on each side and sliding the bracket sideways. (Do not remove the thumb screws completely).
2. Using the bracket as a template, mark the fixing holes on the mounting surface and drill and plug the holes. (4 x 6mm). Fix the bracket securely in place using four screws.



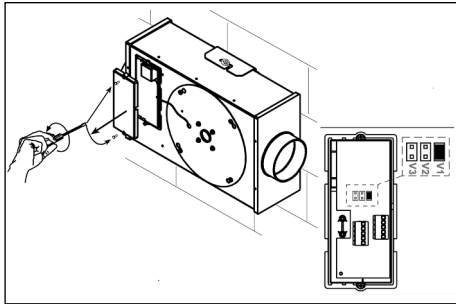
3. Mount the fan cabinet on to the bracket, taking note of the correct direction of airflow and slide sideways. (The air inlet into the cabinet is at the filter end). Tighten the fixing screws.
4. Connect the ducting to the spigots on the fan.

**Note:** During colder periods, there is a possibility of condensation forming on the surface of the ducting between the fan inlet and the outside wall. It is advised to keep the length of the inlet duct as short as possible.



## SPEED SELECTION AND ELECTRICAL CONNECTION

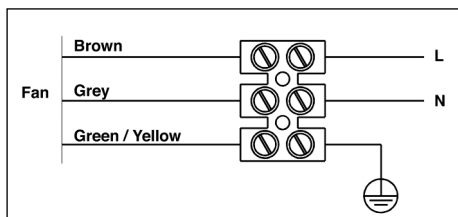
**Note:** Speed selection should be done before the unit is connected to the mains supply.



Remove the rectangular plastic cover on the front of the cabinet. Using the small jumper plug, select the speed required. (The normal factory setting is Speed 1 - 11 l/sec). Replace the cover.

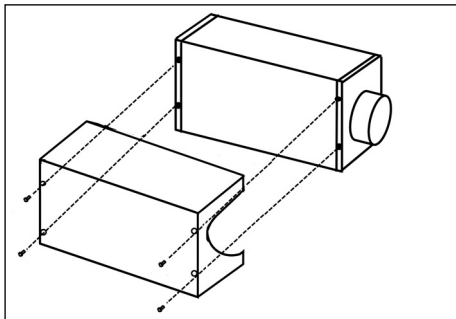
(NB: speeds are measured with filter in place:

Speed 2 - 22 l/sec: Speed 3 - 31 l/sec)



The unit is supplied with a 3-core cable. Connection should be made via a local means of isolation in compliance with current IEE Regulations. **Important: This product must be earthed.**

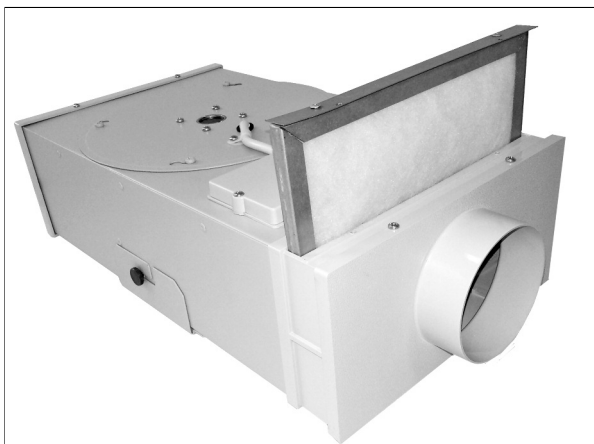
## FITTING THE COVER



Remove the 4 screws from the front edges of the cabinet end plates. Fit the cover over the cabinet and secure using the screws. Overall dimensions with the cover fitted are : 150 x 260 x 495 mm.



## CLEANING AND MAINTENANCE



**Before carrying out any maintenance or cleaning operations the mains electrical supply MUST be disconnected.**

The air filter must be cleaned every 6 – 12 months.

To extract the filter from the cabinet, first remove the two screws from the filter slide plate.

Pull out the filter and remove any dust/dirt using a vacuum cleaner.

Refit the filter and screw in place.

Should the filter be heavily contaminated, replacements can be obtained from your fan supplier.